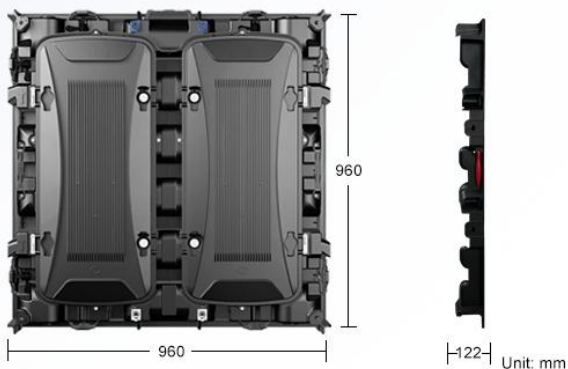


## Q-960 SERIES PRODUCT 3RD GENERATION CABINET

Lightweight/Thin/Smart/Multi-functional

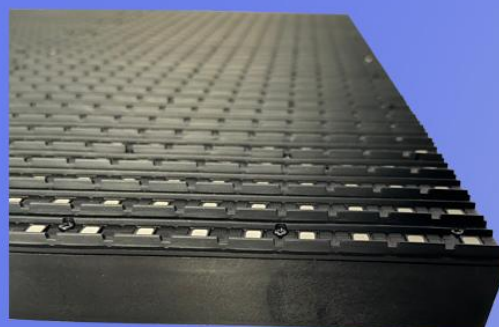
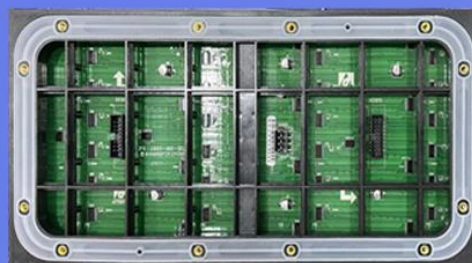


### PRODUCT DIMENSION

Empty cabinet made of aluminum by die-casting, weights only 10.5kg, which makes the totally weight of about 25kg of the cabinets filled with components to have functionality.

### HIGH QUALITY GUARANTEE

Optimal digital performance is guaranteed by high contrasts and high levels of IP ratings, clear presentation against strong, direct sunshine. Modules of 320x320mm, 320x160mm are available for both front and rear serviceability.





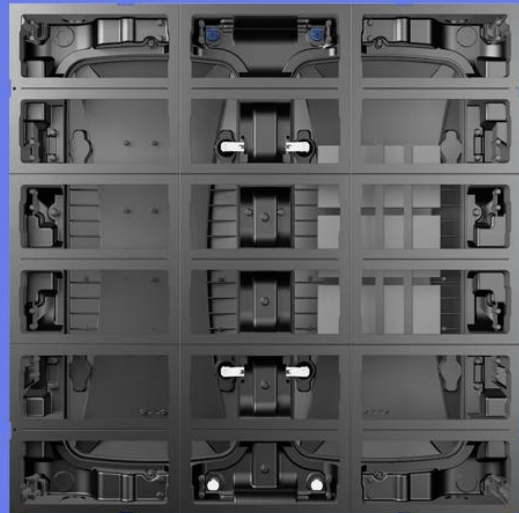
## HIGH ILLUMINANCE



High visibility with brightness 10,000nits. visible for a wide angle view even under intense, direct sunlight. The screen can also be automatically adjusted in brightness in order to save energy and prolong use life.

## EASY MAINTENANCE

Besides weatherability, Q960 has an easy to maintenance all components from both front and rear sides, which means remove or replace malfunctioned modular parts like PSUs, modules, easily.



## INSTALLATION GUIDE



Wall-surface mount



Dual-pole-mounted LED



Sports use LED





Wall-mounted LED



Pole-mounted OOH AD



Sports LED

## APPLICATION SCENARIO



Perimeter LED

## PRODUCT SPECIFICATIONS

Item	Q2.5	Q3.0	Q4.0	Q5.0	Q6.6	Q8.0
Pixel pitch	2.5mm	3.0mm	4.0mm	5.0mm	6.6mm	8.0mm
Pixel density	250000	105656	62500	40000	22500	15625
Module size	320x160mm		320x160/320mm			
LED package	SMD1415	SMD1415	SMD1921	SMD1921	SMD3535	SMD3535
Module resolution(pixels)	128x64	104x52	80x40	64x32	48x24	40x20
Module arrangement per cabinet	3x6					
Cabinet dimension	960x960x120mm					
Cabinet weight (including module)	25kg					
Cabinet resolution (pixels)	384x384	312x312	240x240	192x192	128x128	120x120
Maintenance	Front&rear service					
System backup	Support					
White balance brightness	≥5000cd/m <sup>2</sup>					
Pixel-level calibration	Support					
Color temperature	6500K (adjustable)					
Refresh rate	3840Hz					
Viewing angle	160°(V/H)					
Brightness uniformity	≥98%					
Grayscale level	14-16bits					
Contrast ratio	5000:1					
Scanning mode	1/16	1/13	1/10	1/8	1/6	1/5
Working voltage (input)	110-240V, 50/60Hz					
Max./Avg. Power consumption	800W/m <sup>2</sup> /350W/m <sup>2</sup>					
Storage temperature&humidity (RH)	-10°C-60°C&35-75%					
Working temperature&humidity (RH)	-10°C-60°C&35-75%					
IP ratings	IP65					
Screen temperature rise	≤25°C					
Installation	Wall-mounted/suspended/stacked install					
Signal output	HDMI/VGA/DVI/DP					
Certification	RoHS/FCC/CE					